

## Rohrschelle Form A Isometrisch

Ähnlich DIN3567

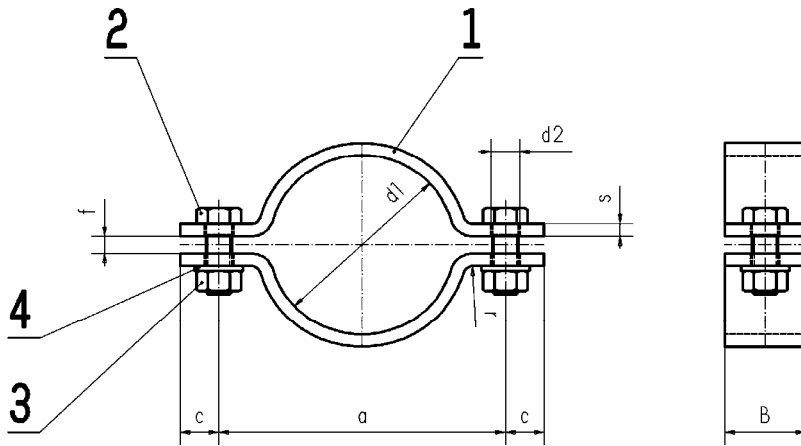
Werkstoff: 1.4301 / VA 2

Ausführung: gebeizt und passiviert

Inklusive Schrauben, Muttern und Scheiben

Weitere Werkstoffe und Abmessungen auf Anfrage

| Artikelnummer | Abmessungen |        |                       |      |      |    |      |    |    | Teil 1<br>Flachstahl<br>DIN 1017 |    |                  | Teil 2<br>Sechskantschraube<br>DIN 933<br>Festigkeitsklasse<br>A2-70 | Teil 3<br>Sechskantmutter<br>DIN 934<br>Festigkeitsklasse<br>A2-70 | Teil 4<br>Scheibe<br>DIN 125<br>A2 | Kg / 100<br>Stück |
|---------------|-------------|--------|-----------------------|------|------|----|------|----|----|----------------------------------|----|------------------|--|--|------------------------------------|-------------------|
|               | DN          | Zoll   | Rohraussendurchmesser | d1   | a    | c  | d2   | f  | r  | B                                | S  | Gestreckte Länge |  |  |                                    |                   |
| 400000        | 15          | 1/2"   | 21,3                  | 22   | 60   | 10 | 9,0  | 5  | 4  | 20                               | 3  | 86               | M8X25  | M8   | A 8,4                              | 7,50              |
| 400001        | 20          | 3/4"   | 26,9                  | 27   | 66   | 15 | 11,5 | 7  | 4  | 30                               | 4  | 103              | M10X30   | M10  | A 10,5                             | 18,10             |
| 400002        | 25          | 1"     | 33,7                  | 34   | 72   |    |      |    |    |                                  |    | 112              |  |  |                                    | 19,80             |
| 400003        | 32          | 1 1/4" | 42,4                  | 43   | 82   | 18 | 14,0 | 9  | 6  | 40                               | 5  | 127              | M12X35   | M12  | A 13                               | 22,60             |
| 400004        | 40          | 1 1/2" | 48,3                  | 49   | 88   |    |      |    |    |                                  |    | 136              |  |  |                                    | 24,30             |
| 400005        | 50          | 2"     | 60,3                  | 61   | 108  | 24 | 18,0 | 11 | 6  | 50                               | 6  | 166              | M16X45   | M16  | A 17                               | 49,60             |
| 400006        | 65          | 2 1/2" | 76,1                  | 77   | 122  |    |      |    |    |                                  |    | 188              |  |  |                                    | 56,60             |
| 400007        | 80          | 3"     | 88,9                  | 89   | 136  | 30 | 23,0 | 14 | 8  | 60                               | 6  | 208              | M20X50   | M20  | A 21                               | 63,00             |
| 400008        | 100         | 4"     | 114,3                 | 115  | 178  |    |      |    |    |                                  |    | 274              |  |  |                                    | 124,50            |
| 400009        | 125         | 5"     | 139,7                 | 140  | 204  | 36 | 27,0 | 18 | 8  | 70                               | 8  | 314              | M24X60   | M24  | A 25                               | 143,20            |
| 400010        | 150         | 6"     | 168,3                 | 169  | 232  |    |      |    |    |                                  |    | 358              |  |  |                                    | 163,90            |
| 400011        | 200         | 8"     | 219,1                 | 220  | 284  | 42 | 30,0 | 22 | 10 | 80                               | 10 | 439              | M27X70   | M27  | A 28                               | 201,80            |
| 400012        | 250         | 10"    | 273,0                 | 273  | 348  |    |      |    |    |                                  |    | 541              |  |  |                                    | 297,70            |
| 400013        | 300         | 12"    | 323,9                 | 324  | 398  | 48 | 33,0 | 26 | 10 | 100                              | 12 | 619              | M30X85   | M30  | A 31                               | 342,20            |
| 400014        | 350         | 14"    | 355,6                 | 356  | 432  |    |      |    |    |                                  |    | 671              |  |  |                                    | 371,70            |
| 400015        | 400         | 16"    | 406,4                 | 407  | 498  | 48 | 33,0 | 26 | 10 | 100                              | 12 | 773              | M30X85   | M30  | A 31                               | 665,50            |
| 400016        | 450         | 18"    | 457,2                 | 457  | 550  |    |      |    |    |                                  |    | 854              |  |  |                                    | 736,10            |
| 400017        | 500         | 20"    | 508,0                 | 508  | 600  | 48 | 33,0 | 26 | 10 | 100                              | 12 | 932              | M30X85   | M30  | A 31                               | 805,50            |
| 400018        | 600         | 24"    | 609,6                 | 610  | 708  |    |      |    |    |                                  |    | 1104             |  |  |                                    | 1364,30           |
| 400019        | 700         | 28"    | 711,2                 | 712  | 810  | 48 | 33,0 | 26 | 10 | 100                              | 12 | 1264             | M30X85   | M30  | A 31                               | 1565,10           |
| 400020        | 800         | 32"    | 812,8                 | 813  | 914  |    |      |    |    |                                  |    | 1425             |  |  |                                    | 1767,70           |
| 400021        | 900         | 36"    | 919,4                 | 920  | 1020 | 48 | 33,0 | 26 | 10 | 100                              | 12 | 1599             | M30X85   | M30  | A 31                               | 2983,60           |
| 400022        | 1000        | 40"    | 1016,0                | 1017 | 1118 |    |      |    |    |                                  |    | 1752             |  |  |                                    | 3272,10           |



## Rohrschelle Form A Metrisch

Ähnlich DIN3567

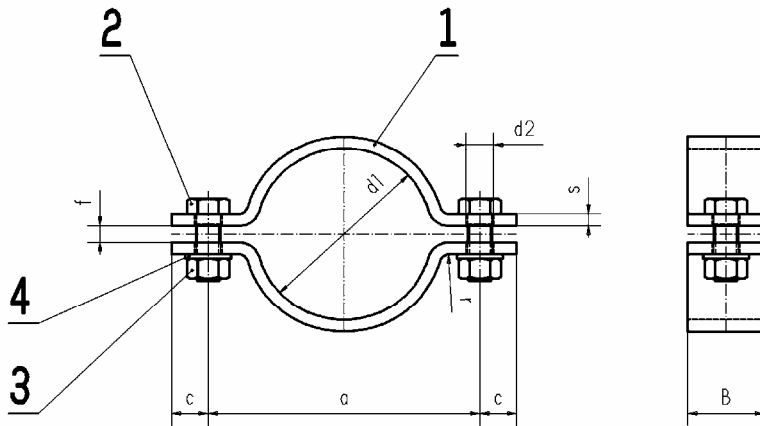
Werkstoff: 1.4301 / VA 2

Ausführung: gebeizt und passiviert

Inklusive Schrauben, Muttern und Scheiben

Weitere Werkstoffe und Abmessungen auf Anfrage

| Artikelnummer | Abmessungen |        |                       |      |      |      |         |    |    |    | Teil 1<br>Flachstahl<br>DIN 1017 |                  | Teil 2<br>Sechskantschraube<br>DIN 933<br>Festigkeitsklasse<br>A2-70 | Teil 3<br>Sechskantmutter<br>DIN 934<br>Festigkeitsklasse<br>A2-70 | Teil 4<br>Scheibe<br>DIN 125<br>A2 | Kg / 100<br>Stück |
|---------------|-------------|--------|-----------------------|------|------|------|---------|----|----|----|----------------------------------|------------------|--|--|------------------------------------|-------------------|
|               | DN          | Zoll   | Rohraussendurchmesser | d1   | a    | c    | d2      | f  | r  | B  | S                                | Gestreckte Länge |  |  |                                    |                   |
| 400092        | 15          | 1/2"   | 18,0                  | 19   | 50   | 10   | 9,0     | 5  | 4  | 20 | 3                                | 75               | M8X25  | M8   | A 8,4                              | 6,40              |
| 400093        | 20          | 3/4"   | 23,0                  | 24   | 62   | 15   | 11,5    | 7  | 4  | 30 | 4                                | 98               | M10X30   | M10  | A 10,5                             | 17,10             |
| 400094        | 25          | 1"     | 28,0                  | 29   | 68   |      |         |    |    |    |                                  | 106              |  |  |                                    | 18,60             |
| 400095        | 32          | 1 1/4" | 35,0                  | 36   | 74   |      |         |    |    |    |                                  | 115              |  |  |                                    | 20,40             |
| 400096        | 40          | 1 1/2" | 44,5                  | 45   | 84   |      |         |    |    |    |                                  | 130              |  |  |                                    | 23,10             |
| 400097        | 50          | 2"     | 54,0                  | 55   | 102  |      |         |    |    |    |                                  | 157              |  |  |                                    | 46,70             |
| 400098        | 65          | 2 1/2" | 69,0                  | 70   | 115  | 18   | 14,0    | 9  | 6  | 40 | 5                                | 177              | M12X35   | M12  | A 13                               | 53,30             |
| 400099        | 80          | 3"     | 84,0                  | 85   | 132  | 24   | 18,0    | 11 | 6  | 50 | 6                                | 202              | M16X45   | M16  | A 17                               | 61,10             |
| 400100        | 100         | 4"     | 104,0                 | 105  | 170  |      |         |    |    |    |                                  | 261              |  |  |                                    | 118,20            |
| 400101        | 125         | 5"     | 129,0                 | 130  | 193  |      |         |    |    |    |                                  | 298              |  |  |                                    | 135,40            |
| 400102        | 150         | 6"     | 154,0                 | 155  | 218  |      |         |    |    |    |                                  | 336              |  |  |                                    | 153,70            |
| 400103        | 200         | 8"     | 204,0                 | 206  | 270  |      |         |    |    |    |                                  | 417              |  |  |                                    | 191,50            |
| 400104        | 250         | 10"    | 254,0                 | 256  | 332  | 30   | 23,0    | 14 | 8  | 60 | 6                                | 515              | M20X50   | M20  | A 21                               | 283,30            |
| 400105        | 300         | 12"    | 304,0                 | 308  | 382  |      |         |    |    |    |                                  | 594              |  |  |                                    | 328,00            |
| 400106        | 350         | 14"    | 356,0                 | 358  | 434  |      |         |    |    |    |                                  | 675              |  |  |                                    | 373,40            |
| 400107        | 400         | 16"    | 406,0                 | 410  | 500  |      |         |    |    |    |                                  | 777              |  |  |                                    | 668,80            |
| 400108        | 450         | 18"    | 456,0                 | 460  | 550  |      |         |    |    |    |                                  | 36               |  |  |                                    | 27,0              |
| 400109        | 500         | 20"    | 506,0                 | 512  | 605  | 42   | 30,0    | 22 | 10 | 80 | 10                               | 940              | M27X70   | M27  | A 28                               | 811,80            |
| 400110        | 600         | 24"    | 608,0                 | 612  | 708  |      |         |    |    |    |                                  | 1107             |  |  |                                    | 1368,20           |
| 400111        | 700         | 28"    | 711,2                 | 712  | 810  |      |         |    |    |    |                                  | 1264             |  |  |                                    | 1565,10           |
| 400112        | 800         | 32"    | 812,8                 | 813  | 914  |      |         |    |    |    |                                  | 1421             |  |  |                                    | 1762,00           |
| 400113        | 900         | 36"    | 919,4                 | 920  | 1020 |      |         |    |    |    |                                  | 48               |  |  |                                    | 33,0              |
| 400114        | 1000        | 40"    | 1016,0                | 1017 | 1120 | 1756 | 3272,10 |    |    |    |                                  |                  |  |  |                                    |                   |



## Rohrschelle Form A

## Isometrisch

Ähnlich DIN3567

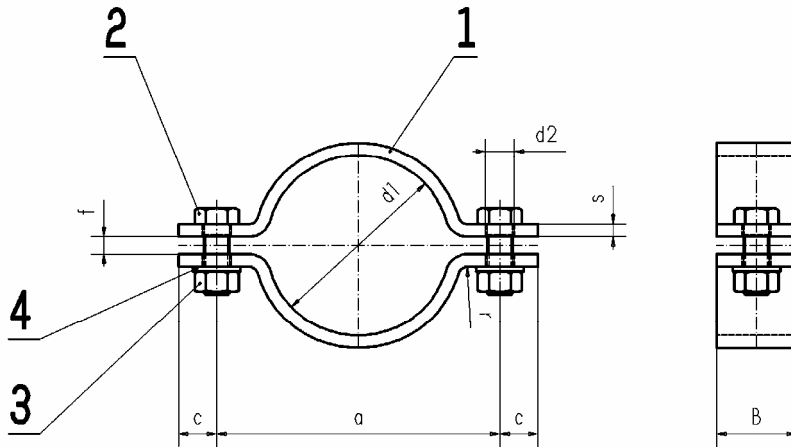
Werkstoff: 1.4571 / VA 4

Ausführung: gebeizt und passiviert

Inklusive Schrauben, Muttern und Scheiben

Weitere Werkstoffe und Abmessungen auf Anfrage

| Artikelnummer | Abmessungen |        |                            |      |      |      |         |    |    | Teil 1<br>Flachstahl<br>DIN 1017 |    |                     | Teil 2<br>Sechskantschraube<br>DIN 933<br>Festigkeitsklasse<br>A4-70 | Teil 3<br>Sechskantmutter<br>DIN 934<br>Festigkeitsklasse<br>A4-70 | Teil 4<br>Scheibe<br>DIN 125<br>A4 | Kg / 100<br>Stück |
|---------------|-------------|--------|----------------------------|------|------|------|---------|----|----|----------------------------------|----|---------------------|--|--|------------------------------------|-------------------|
|               | DN          | Zoll   | Rohraussen-<br>durchmesser | d1   | a    | c    | d2      | f  | r  | B                                | S  | Gestreckte<br>Länge |  |  |                                    |                   |
| 400023        | 15          | 1/2"   | 21,3                       | 22   | 60   | 10   | 9,0     | 5  | 4  | 20                               | 3  | 86                  | M8X25  | M8   | A 8,4                              | 7,50              |
| 400024        | 20          | 3/4"   | 26,9                       | 27   | 66   | 15   | 11,5    | 7  | 4  | 30                               | 4  | 103                 | M10X30   | M10  | A 10,5                             | 18,10             |
| 400025        | 25          | 1"     | 33,7                       | 34   | 72   |      |         |    |    |                                  |    | 112                 |  |  |                                    | 19,80             |
| 400026        | 32          | 1 1/4" | 42,4                       | 43   | 82   |      |         |    |    |                                  |    | 127                 |  |  |                                    | 22,60             |
| 400027        | 40          | 1 1/2" | 48,3                       | 49   | 88   |      |         |    |    |                                  |    | 136                 |  |  |                                    | 24,30             |
| 400028        | 50          | 2"     | 60,3                       | 61   | 108  |      |         |    |    |                                  |    | 166                 |  |  |                                    | 49,60             |
| 400029        | 65          | 2 1/2" | 76,1                       | 77   | 122  | 18   | 14,0    | 9  | 6  | 40                               | 5  | 188                 | M12X35   | M12  | A 13                               | 56,60             |
| 400030        | 80          | 3"     | 88,9                       | 89   | 136  | 24   | 18,0    | 11 | 6  | 50                               | 6  | 208                 | M16X45   | M16  | A 17                               | 63,00             |
| 400031        | 100         | 4"     | 114,3                      | 115  | 178  |      |         |    |    |                                  |    | 274                 |  |  |                                    | 124,50            |
| 400032        | 125         | 5"     | 139,7                      | 140  | 204  |      |         |    |    |                                  |    | 314                 |  |  |                                    | 143,20            |
| 400033        | 150         | 6"     | 168,3                      | 169  | 232  |      |         |    |    |                                  |    | 358                 |  |  |                                    | 163,90            |
| 400034        | 200         | 8"     | 219,1                      | 220  | 284  |      |         |    |    |                                  |    | 439                 |  |  |                                    | 201,80            |
| 400035        | 250         | 10"    | 273,0                      | 273  | 348  | 30   | 23,0    | 14 | 8  | 60                               | 6  | 541                 | M20X50   | M20  | A 21                               | 297,70            |
| 400036        | 300         | 12"    | 323,9                      | 324  | 398  |      |         |    |    |                                  |    | 619                 |  |  |                                    | 342,20            |
| 400037        | 350         | 14"    | 355,6                      | 356  | 432  |      |         |    |    |                                  |    | 671                 |  |  |                                    | 371,70            |
| 400038        | 400         | 16"    | 406,4                      | 407  | 498  |      |         |    |    |                                  |    | 773                 |  |  |                                    | 665,50            |
| 400039        | 450         | 18"    | 457,2                      | 457  | 550  |      |         |    |    |                                  |    | 36                  |  |  |                                    | 27,0              |
| 400040        | 500         | 20"    | 508,0                      | 508  | 600  | 42   | 30,0    | 22 | 10 | 80                               | 10 | 932                 | M27X70   | M27  | A 28                               | 805,50            |
| 400041        | 600         | 24"    | 609,6                      | 610  | 708  |      |         |    |    |                                  |    | 1104                |  |  |                                    | 1364,30           |
| 400042        | 700         | 28"    | 711,2                      | 712  | 810  |      |         |    |    |                                  |    | 1264                |  |  |                                    | 1565,10           |
| 400043        | 800         | 32"    | 812,8                      | 813  | 914  |      |         |    |    |                                  |    | 1425                |  |  |                                    | 1767,70           |
| 400044        | 900         | 36"    | 919,4                      | 920  | 1020 |      |         |    |    |                                  |    | 48                  |  |  |                                    | 33,0              |
| 400045        | 1000        | 40"    | 1016,0                     | 1017 | 1118 | 1752 | 3272,10 |    |    |                                  |    |                     |  |  |                                    |                   |



## Rohrschelle Form A Metrisch

Ähnlich DIN3567

Werkstoff: 1.4571 / VA 4

Ausführung: gebeizt und passiviert

Inklusive Schrauben, Muttern und Scheiben

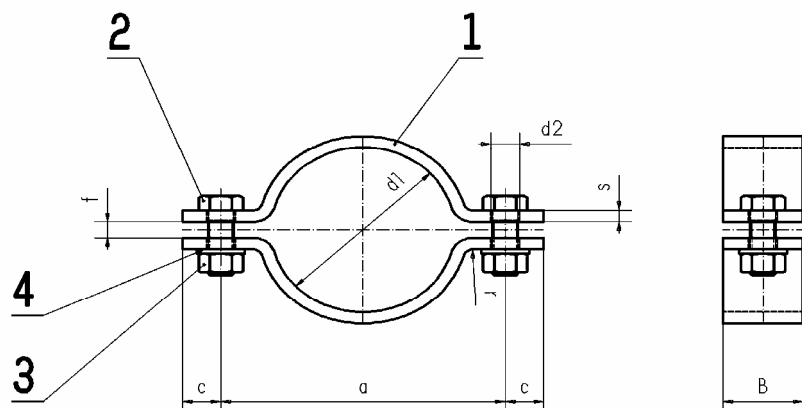
Weitere Werkstoffe und Abmessungen auf Anfrage

| Artikelnummer | Abmessungen |        |                            |      |      |    |      |    |    |     |    | Teil 1<br>Flachstahl<br>DIN 1017 | Teil 2<br>Sechskantschraube<br>DIN 933<br>Festigkeitsklasse<br>A4-70 | Teil 3<br>Sechskantmutter<br>DIN 934<br>Festigkeitsklasse<br>A4-70 | Teil 4<br>Scheibe<br>DIN 125<br>A4 | Kg / 100<br>Stück |
|---------------|-------------|--------|----------------------------|------|------|----|------|----|----|-----|----|----------------------------------|--|--|------------------------------------|-------------------|
|               | DN          | Zoll   | Rohraussen-<br>durchmesser | d1   | a    | c  | d2   | f  | r  | B   | S  |                                  |  |  |                                    |                   |
| 400115        | 15          | 1/2"   | 18,0                       | 19   | 50   | 10 | 9,0  | 5  | 4  | 20  | 3  | 75                               | M8X25  | M8   | A 8,4                              | 6,40              |
| 400116        | 20          | 3/4"   | 23,0                       | 24   | 62   | 15 | 11,5 | 7  | 4  | 30  | 4  | 98                               | M10X30   | M10  | A 10,5                             | 17,10             |
| 400117        | 25          | 1"     | 28,0                       | 29   | 68   |    |      |    |    |     |    | 106                              |  |  |                                    | 18,60             |
| 400118        | 32          | 1 1/4" | 35,0                       | 36   | 74   |    |      |    |    |     |    | 115                              |  |  |                                    | 20,40             |
| 400119        | 40          | 1 1/2" | 44,5                       | 45   | 84   |    |      |    |    |     |    | 130                              |  |  |                                    | 23,10             |
| 400120        | 50          | 2"     | 54,0                       | 55   | 102  |    |      |    |    |     |    | 157                              |  |  |                                    | 46,70             |
| 400121        | 65          | 2 1/2" | 69,0                       | 70   | 115  | 18 | 14,0 | 9  | 6  | 40  | 5  | 177                              | M12X35   | M12  | A 13                               | 53,30             |
| 400122        | 80          | 3"     | 84,0                       | 85   | 132  |    |      |    |    |     |    | 202                              |  |  |                                    | 61,10             |
| 400123        | 100         | 4"     | 104,0                      | 105  | 170  | 24 | 18,0 | 11 | 6  | 50  | 6  | 261                              | M16X45   | M16  | A 17                               | 118,20            |
| 400124        | 125         | 5"     | 129,0                      | 130  | 193  |    |      |    |    |     |    | 298                              |  |  |                                    | 135,40            |
| 400125        | 150         | 6"     | 154,0                      | 155  | 218  |    |      |    |    |     |    | 336                              |  |  |                                    | 153,70            |
| 400126        | 200         | 8"     | 204,0                      | 206  | 270  |    |      |    |    |     |    | 417                              |  |  |                                    | 191,50            |
| 400127        | 250         | 10"    | 254,0                      | 256  | 332  | 30 | 23,0 | 14 | 8  | 60  | 6  | 515                              | M20X50   | M20  | A 21                               | 283,30            |
| 400128        | 300         | 12"    | 304,0                      | 308  | 382  |    |      |    |    |     |    | 594                              |  |  |                                    | 328,00            |
| 400129        | 350         | 14"    | 356,0                      | 358  | 434  |    |      |    |    |     |    | 675                              |  |  |                                    | 373,40            |
| 400130        | 400         | 16"    | 406,0                      | 410  | 500  | 36 | 27,0 | 18 | 8  | 70  | 8  | 777                              | M24X55   | M24  | A 25                               | 668,80            |
| 400131        | 450         | 18"    | 456,0                      | 460  | 550  |    |      |    |    |     |    | 855                              |  |  |                                    | 737,60            |
| 400132        | 500         | 20"    | 506,0                      | 512  | 605  |    |      |    |    |     |    | 940                              |  |  |                                    | 811,80            |
| 400133        | 600         | 24"    | 608,0                      | 612  | 710  | 42 | 30,0 | 22 | 10 | 80  | 10 | 1107                             | M27X70   | M27  | A 28                               | 1368,20           |
| 400134        | 700         | 28"    | 711,2                      | 712  | 810  |    |      |    |    |     |    | 1264                             |  |  |                                    | 1565,10           |
| 400135        | 800         | 32"    | 812,8                      | 813  | 914  |    |      |    |    |     |    | 1421                             |  |  |                                    | 1762,00           |
| 400136        | 900         | 36"    | 919,4                      | 920  | 1020 | 48 | 33,0 | 26 | 10 | 100 | 12 | 1599                             | M30X85   | M30  | A 31                               | 2983,60           |
| 400137        | 1000        | 40"    | 1016,0                     | 1017 | 1120 |    |      |    |    |     |    | 1756                             |  |  |                                    | 3272,10           |

## Rohrschelle Form A

## Isometrisch

## DIN 3567



Werkstoff : S235JR / ST37.2

Ausführung : grundiert / Aluchrom

Inklusive Schrauben, Muttern und Scheiben

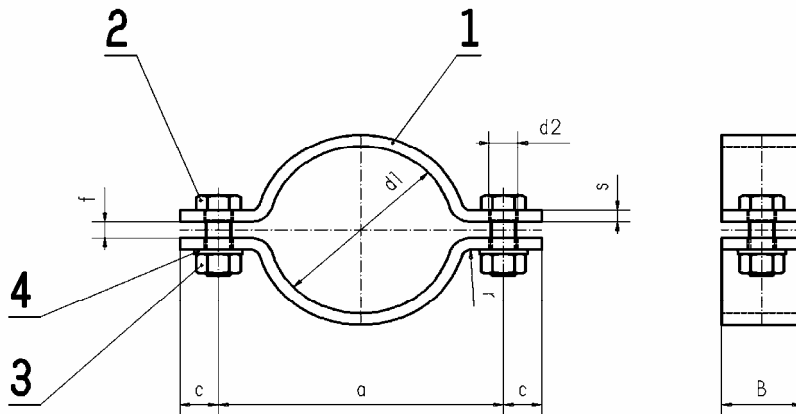
Weitere Werkstoffe und Abmessungen auf Anfrage

| Artikelnummer | Abmessungen |        |                       |      |      |    |      |    |    |     | Teil 1<br>Flachstahl<br>DIN1017 |                  | Teil 2<br>Sechskantschraube<br>DIN 931<br>Festigkeitsklasse<br>8.8 | Teil 3<br>Sechskantmutter<br>DIN 934<br>Festigkeitsklasse<br>8.8 | Teil 4<br>Scheibe<br>Din 125 | Kg / 100<br>Stück |         |
|---------------|-------------|--------|-----------------------|------|------|----|------|----|----|-----|---------------------------------|------------------|--|--|------------------------------|-------------------|---------|
|               | DN          | Zoll   | Rohraussendurchmesser | d1   | a    | c  | d2   | f  | r  | B   | S                               | Gestreckte Länge |  |  |                              |                   |         |
| 400069        | 15          | 1/2"   | 21,3                  | 22   | 60   | 10 | 9,0  | 5  | 4  | 20  | 4                               | 86               | M8X25  | M8   | A 8,4                        | 10,00             |         |
| 400070        | 20          | 3/4"   | 26,9                  | 27   | 66   | 15 | 11,5 | 7  | 4  | 30  | 5                               | 103              | M10X30   | M10  | A 10,5                       | 22,60             |         |
| 400071        | 25          | 1"     | 33,7                  | 34   | 72   |    |      |    |    |     |                                 | 112              |  |  |                              |                   | 24,80   |
| 400072        | 32          | 1 1/4" | 42,4                  | 43   | 82   |    |      |    |    |     |                                 | 126              |  |  |                              |                   | 28,10   |
| 400073        | 40          | 1 1/2" | 48,3                  | 49   | 88   |    |      |    |    |     |                                 | 135              |  |  |                              |                   | 30,30   |
| 400074        | 50          | 2"     | 60,3                  | 61   | 108  | 18 | 14,0 | 9  | 6  | 40  | 6                               | 165              | M12X35   | M12  | A 13                         | 59,40             |         |
| 400075        | 65          | 2 1/2" | 76,1                  | 77   | 122  |    |      |    |    |     |                                 | 188              |  |  |                              |                   | 67,80   |
| 400076        | 80          | 3"     | 88,9                  | 89   | 136  |    |      |    |    |     |                                 | 208              |  |  |                              |                   | 75,50   |
| 400077        | 100         | 4"     | 114,3                 | 115  | 178  | 24 | 18,0 | 11 | 6  | 50  | 8                               | 274              | M16X45   | M16  | A 17                         | 165,40            |         |
| 400078        | 125         | 5"     | 139,7                 | 140  | 204  |    |      |    |    |     |                                 | 313              |  |  |                              |                   | 190,30  |
| 400079        | 150         | 6"     | 168,3                 | 169  | 232  |    |      |    |    |     |                                 | 357              |  |  |                              |                   | 217,90  |
| 400080        | 200         | 8"     | 219,1                 | 220  | 284  |    |      |    |    |     |                                 | 437              |  |  |                              |                   | 268,40  |
| 400081        | 250         | 10"    | 273,0                 | 273  | 348  | 30 | 23,0 | 14 | 8  | 60  | 8                               | 539              | M20X50   | M20  | A 21                         | 396,10            |         |
| 400082        | 300         | 12"    | 323,9                 | 324  | 398  |    |      |    |    |     |                                 | 618              |  |  |                              |                   | 455,30  |
| 400083        | 350         | 14"    | 355,6                 | 356  | 432  |    |      |    |    |     |                                 | 670              |  |  |                              |                   | 494,60  |
| 400084        | 400         | 16"    | 406,4                 | 407  | 498  | 36 | 27,0 | 18 | 8  | 70  | 10                              | 772              | M24X60   | M24  | A 25                         | 830,50            |         |
| 400085        | 450         | 18"    | 457,2                 | 457  | 550  |    |      |    |    |     |                                 | 852              |  |  |                              |                   | 918,70  |
| 400086        | 500         | 20"    | 508,0                 | 508  | 600  |    |      |    |    |     |                                 | 931              |  |  |                              |                   | 1005,30 |
| 400087        | 600         | 24"    | 609,6                 | 610  | 708  | 42 | 30,0 | 22 | 10 | 80  | 12                              | 1103             | M27X70   | M27  | A 28                         | 1635,10           |         |
| 400088        | 700         | 28"    | 711,2                 | 712  | 810  |    |      |    |    |     |                                 | 1262             |  |  |                              |                   | 1875,90 |
| 400089        | 800         | 32"    | 812,8                 | 813  | 914  |    |      |    |    |     |                                 | 1424             |  |  |                              |                   | 2119,10 |
| 400090        | 900         | 36"    | 919,4                 | 920  | 1020 | 48 | 33,0 | 26 | 10 | 100 | 15                              | 1597             | M30X90   | M30  | A 31                         | 3724,40           |         |
| 400091        | 1000        | 40"    | 1016,0                | 1017 | 1118 |    |      |    |    |     |                                 | 1750             |  |  |                              |                   | 4085,10 |

## Rohrschelle Form A

## Isometrisch

## DIN 3567



Werkstoff : S235JR / ST37.2

Ausführung : galvanisch Verzinkt

Inklusive Schrauben, Muttern und Scheiben

Weitere Werkstoffe und Abmessungen auf Anfrage

| Artikelnummer | Abmessungen |        |                       |      |      |    |      |    |    |     | Teil 1<br>Flachstahl<br>DIN1017 |                  | Teil 2<br>Sechskantschraube<br>DIN 931<br>Festigkeitsklasse<br>8.8 | Teil 3<br>Sechskantmutter<br>DIN 934<br>Festigkeitsklasse<br>8.8 | Teil 4<br>Scheibe<br>Din 125 | Kg / 100<br>Stück |
|---------------|-------------|--------|-----------------------|------|------|----|------|----|----|-----|---------------------------------|------------------|--|--|------------------------------|-------------------|
|               | DN          | Zoll   | Rohraussendurchmesser | d1   | a    | c  | d2   | f  | r  | B   | S                               | Gestreckte Länge |  |  |                              |                   |
| 400046        | 15          | 1/2"   | 21,3                  | 22   | 60   | 10 | 9,0  | 5  | 4  | 20  | 4                               | 86               | M8X25  | M8   | A 8,4                        | 10,00             |
| 400047        | 20          | 3/4"   | 26,9                  | 27   | 66   | 15 | 11,5 | 7  | 4  | 30  | 5                               | 103              | M10X30   | M10  | A 10,5                       | 22,60             |
| 400048        | 25          | 1"     | 33,7                  | 34   | 72   |    |      |    |    |     |                                 | 112              |  |  |                              | 24,80             |
| 400049        | 32          | 1 1/4" | 42,4                  | 43   | 82   |    |      |    |    |     |                                 | 126              |  |  |                              | 28,10             |
| 400050        | 40          | 1 1/2" | 48,3                  | 49   | 88   |    |      |    |    |     |                                 | 135              |  |  |                              | 30,30             |
| 400051        | 50          | 2"     | 60,3                  | 61   | 108  | 18 | 14,0 | 9  | 6  | 40  | 6                               | 165              | M12X35   | M12  | A 13                         | 59,40             |
| 400052        | 65          | 2 1/2" | 76,1                  | 77   | 122  |    |      |    |    |     |                                 | 188              |  |  |                              | 67,80             |
| 400053        | 80          | 3"     | 88,9                  | 89   | 136  |    |      |    |    |     |                                 | 208              |  |  |                              | 75,50             |
| 400054        | 100         | 4"     | 114,3                 | 115  | 178  | 24 | 18,0 | 11 | 6  | 50  | 8                               | 274              | M16X45   | M16  | A 17                         | 165,40            |
| 400055        | 125         | 5"     | 139,7                 | 140  | 204  |    |      |    |    |     |                                 | 313              |  |  |                              | 190,30            |
| 400056        | 150         | 6"     | 168,3                 | 169  | 232  |    |      |    |    |     |                                 | 357              |  |  |                              | 217,90            |
| 400057        | 200         | 8"     | 219,1                 | 220  | 284  |    |      |    |    |     |                                 | 437              |  |  |                              | 268,40            |
| 400058        | 250         | 10"    | 273,0                 | 273  | 348  | 30 | 23,0 | 14 | 8  | 60  | 8                               | 539              | M20X50   | M20  | A 21                         | 396,10            |
| 400059        | 300         | 12"    | 323,9                 | 324  | 398  |    |      |    |    |     |                                 | 618              |  |  |                              | 455,30            |
| 400060        | 350         | 14"    | 355,6                 | 356  | 432  |    |      |    |    |     |                                 | 670              |  |  |                              | 494,60            |
| 400061        | 400         | 16"    | 406,4                 | 407  | 498  | 36 | 27,0 | 18 | 8  | 70  | 10                              | 772              | M24X60   | M24  | A 25                         | 830,50            |
| 400062        | 450         | 18"    | 457,2                 | 457  | 550  |    |      |    |    |     |                                 | 852              |  |  |                              | 918,70            |
| 400063        | 500         | 20"    | 508,0                 | 508  | 600  |    |      |    |    |     |                                 | 931              |  |  |                              | 1005,30           |
| 400064        | 600         | 24"    | 609,6                 | 610  | 708  |    |      |    |    |     |                                 | 1103             |  |  |                              | 1635,10           |
| 400065        | 700         | 28"    | 711,2                 | 712  | 810  | 42 | 30,0 | 22 | 10 | 80  | 12                              | 1262             | M27X70   | M27  | A 28                         | 1875,90           |
| 400066        | 800         | 32"    | 812,8                 | 813  | 914  |    |      |    |    |     |                                 | 1424             |  |  |                              | 2119,10           |
| 400067        | 900         | 36"    | 919,4                 | 920  | 1020 |    |      |    |    |     |                                 | 1597             |  |  |                              | 3724,40           |
| 400068        | 1000        | 40"    | 1016,0                | 1017 | 1118 | 48 | 33,0 | 26 | 10 | 100 | 15                              | 1750             | M30X90   | M30  | A 31                         | 4085,10           |